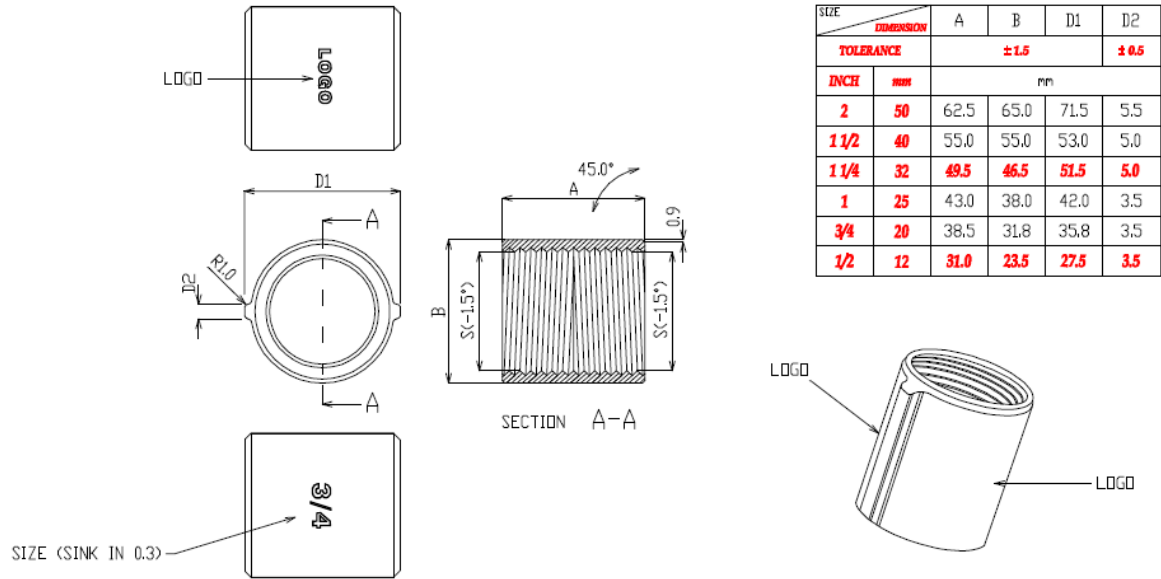





Procedure : Technical Drawing for Brass Fittings	
Department : Material Evaluation Technical Committee (METC)	
Document No: PBA/BRASS/FITTINGS	Revision No : 00
Classification : Public	Effective Date : 29 June 2018

APPENDIX 1



FITTING STANDARD: * BS 143 & 1256 : 2000 THREADS STANDARD BS 21 : 1985	PREPARED BY: Mr. Mok Kok Yun		
	DATE: 6 JUNE 2018		DESCRIPTION: SOCKET
DIMENSION IN mm	COMMENTS:	SIZE: DWG NO.	
MATERIAL : BRASS	<i>No modification on any part of the fitting is allowed in order to comply with PBAPP requirement</i>	A4 METC/SOCKET (BRASS)	REV. 2
FINISH:	<i>* BS 143 & 1256 : 2000 is referred as a guide for tolerances only</i>	SCALE: NOT TO SCALE	SHEET NO: 1 of 1



Procedure : Technical Drawing for Brass Fittings

Department : Material Evaluation Technical Committee (METC)

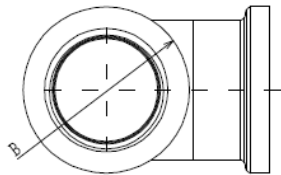
Document No: PBA/BRASS/FITTINGS

Revision No : 00

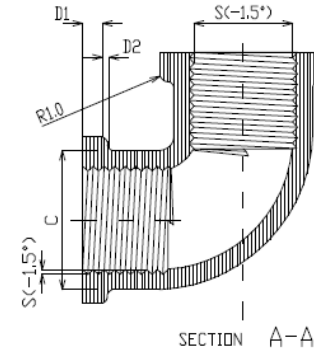
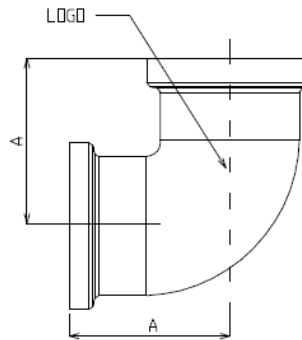
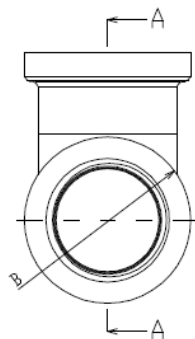
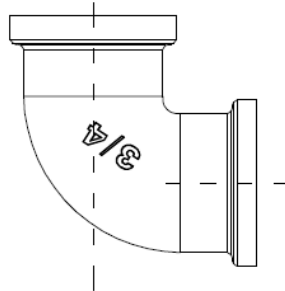
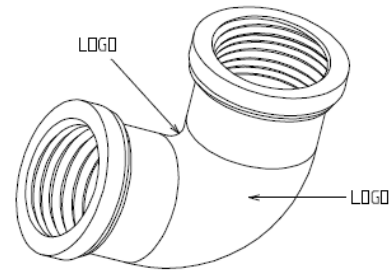
Classification : Public

Effective Date : 29 June 2018

APPENDIX 2



SIZE	DIMENSION		A	B	C	D1	D2
	TOLERANCE		±1.5			±1.0	
INCH	mm	mm					
2	50	58.0	72.0	66.0	6.3	2.5	
1 1/2	40	45.0	59.0	54.0	5.5	2.5	
1 1/4	32	42.0	52.0	48.0	5.5	2.5	
1	25	38.0	42.5	38.0	5.5	2.5	
3/4	20	33.0	35.0	30.0	5.5	1.0	
1/2	12	28.0	29.0	25.0	3.5	0.5	



FITTING STANDARD:
* BS 143 & 1256 : 2000

THREADS STANDARD
BS 21 : 1985

DIMENSION IN mm

MATERIAL : BRASS

FINISH:

DO NOT SCALE DRAWING

PREPARED BY:

Mr. Mok Kok Yun

DATE: 6 JUNE 2018

COMMENTS:

No modification on any part of the fitting is allowed in order to comply with PBAPP requirement.

** BS 143 & 1256 : 2000 is referred as a guide for tolerance only*



DESCRIPTION: 90° ELBOWS

SIZE: DWG NO.

A4: METC/90° ELBOWS (BRASS)

SCALE: NOT TO SCALE

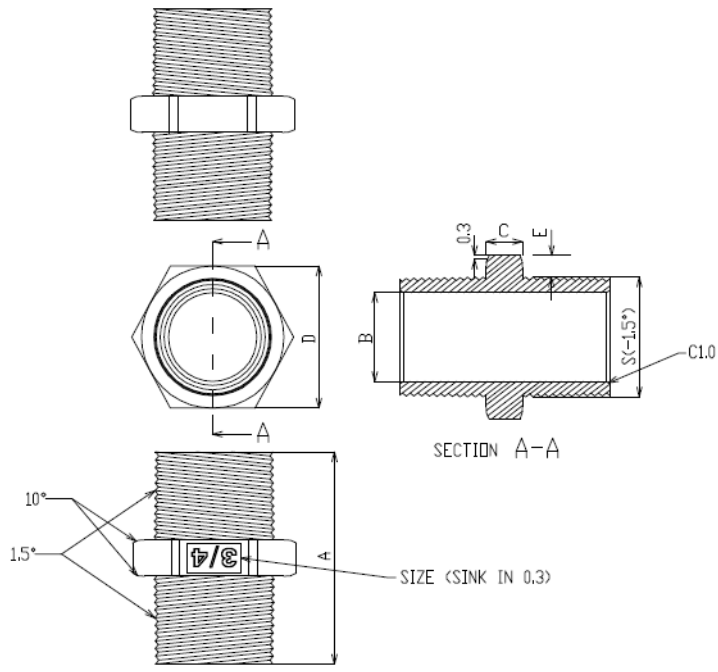
SHEET NO: 1 of 1

REV. 2

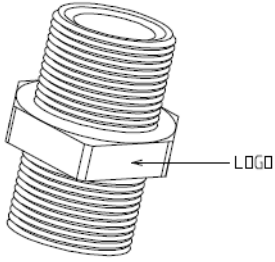



Procedure : Technical Drawing for Brass Fittings	
Department : Material Evaluation Technical Committee (METC)	
Document No: PBA/BRASS/FITTINGS	Revision No : 00
Classification : Public	Effective Date : 29 June 2018

APPENDIX 3



SIZE		A	B	C	D	E
TOLERANCE		± 1.5			0.0 - 1.5	
INCH	MM	MM				
4	100	91.0	97.0	20.0	105.0	3.0
3	75	77.0	76.0	16.0	97.0	3.0
2	50	65.5	50.0	15.0	64.0	3.0
1 1/2	40	60.0	38.0	12.0	50.0	3.0
1 1/4	32	60.0	32.0	12.0	44.0	3.0
1	25	50.5	25.0	12.0	36.0	3.0
3/4	20	47.0	20.0	9.0	32.0	2.5
1/2	12	44.0	15.5	7.0	25.5	2.5

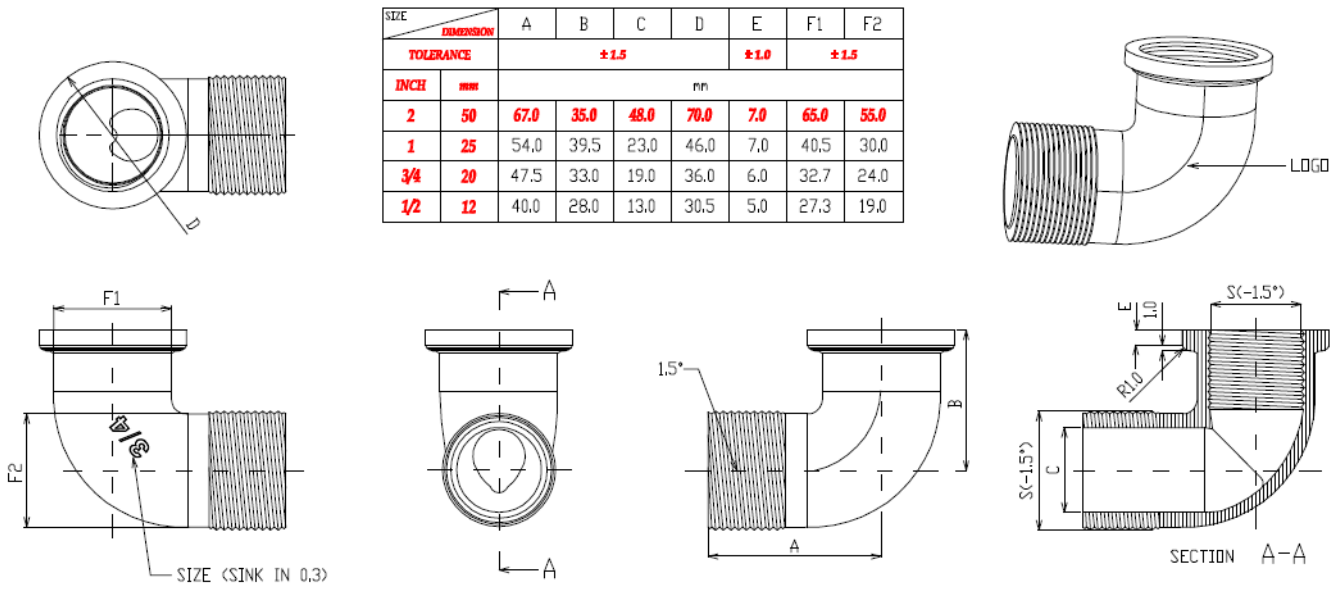


FITTING STANDARD: * BS 143 & 1256 : 2000 THREADS STANDARD: BS 21 : 1985	PREPARED BY: Mr. Mok Kok Yun	
	DATE: 6 JUNE 2018	
DIMENSION IN mm	COMMENTS: No modification on any part of the fitting is allowed in order to comply with PBAPP requirement.	SIZE: DWG NO. A4 METC/HEXAGONAL NIPPLES (BRASS)
MATERIAL : BRASS	* BS 143 & 1256 : 2000 is referred as a guide for tolerance only	SCALE: NOT TO SCALE
FINISH:		SHEET NO: 1 of 1
ID NOT SCALE DRAWING		REV. 2



Procedure : Technical Drawing for Brass Fittings	
Department : Material Evaluation Technical Committee (METC)	
Document No: PBA/BRASS/FITTINGS	Revision No : 00
Classification : Public	Effective Date : 29 June 2018

APPENDIX 4



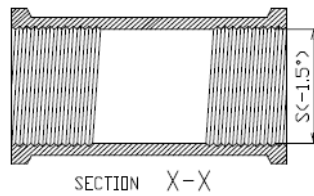
SIZE	DIMENSION		A	B	C	D	E	F1	F2
	TOLERANCE		±1.5				±1.0	±1.5	
	INCH	mm	mm						
2	50	67.0	35.0	48.0	70.0	7.0	65.0	55.0	
1	25	54.0	39.5	23.0	46.0	7.0	40.5	30.0	
3/4	20	47.5	33.0	19.0	36.0	6.0	32.7	24.0	
1/2	12	40.0	28.0	13.0	30.5	5.0	27.3	19.0	

FITTING STANDARD: * BS 143 & 1256 : 2000 THREADS STANDARD: BS 21 : 1985	PREPARED BY: Mr. Mok Kok Yun										
	DATE: 6 JUNE 2018		DESCRIPTION: MALE/FEMALE ELBOWS								
DIMENSION IN mm MATERIAL : BRASS FINISH: DO NOT SCALE DRAWING	COMMENTS: No modification on any part of the fitting is allowed in order to comply with PBAFP requirement. * BS 143 & 1256 : 2000 is referred as a guide for tolerances only	<table border="1"> <tr> <td>SIZE</td> <td>DWG NO.</td> <td>REV.</td> </tr> <tr> <td>A4</td> <td>METC/MALE/FEMALE ELBOWS (BRASS)</td> <td>2</td> </tr> <tr> <td>SCALE:</td> <td>NOT TO SCALE</td> <td>SHEET NO: 1 of 1</td> </tr> </table>	SIZE	DWG NO.	REV.	A4	METC/MALE/FEMALE ELBOWS (BRASS)	2	SCALE:	NOT TO SCALE	SHEET NO: 1 of 1
SIZE	DWG NO.	REV.									
A4	METC/MALE/FEMALE ELBOWS (BRASS)	2									
SCALE:	NOT TO SCALE	SHEET NO: 1 of 1									

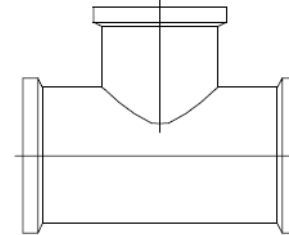
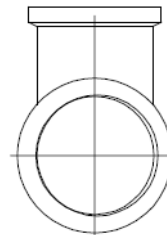
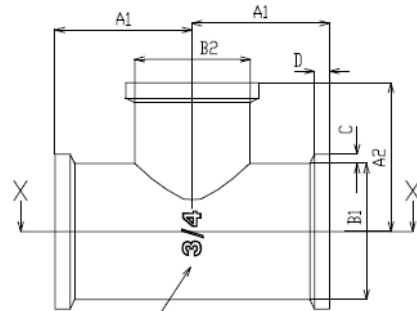
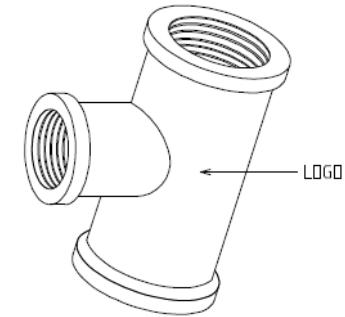


Procedure : Technical Drawing for Brass Fittings	
Department : Material Evaluation Technical Committee (METC)	
Document No: PBA/BRASS/FITTINGS	Revision No : 00
Classification : Public	Effective Date : 29 June 2018


APPENDIX 5



SIZE		A1	A2	B1	B2	C	D
TOLERANCE		± 1.5				± 0.5	± 1.0
INCH	mm	mm					
2 X 1	50 X 25	44.0	52.0	69.0	40.0	3.0	6.0
2 X 3/4	50 X 20	40.0	50.0	69.0	34.0	3.0	6.0
1 X 3/4	25 X 20	35.0	36.0	42.0	34.0	2.0	4.0
3/4 X 1/2	20 X 12	30.0	31.0	34.0	28.5	2.0	3.0



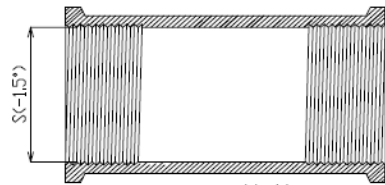
SIZE (SINK IN 0.3)

FITTING STANDARD: * BS 143 & 1256 : 2000 THREADS STANDARD: BS 21 : 1985	PREPARED BY: Mr. Mok Kok Yun	 Perbadanan Bekalan Air Pulau Pinang Sdn Bhd Meeting all your water supply needs
	DATE: 6 JUNE 2018	
DIMENSION IN mm MATERIAL : BRASS FINISH: DO NOT SCALE DRAWING	COMMENTS: <i>No modification on any part of the fitting is allowed in order to comply with PBAPP requirement.</i> * BS 143 & 1256 : 2000 is referred as a guide for tolerance only	SIZE: A4 DWG NO.: METC/TEE REDUCING (BRASS) SCALE: NOT TO SCALE
		REV. 2 SHEET NO: 1 of 1



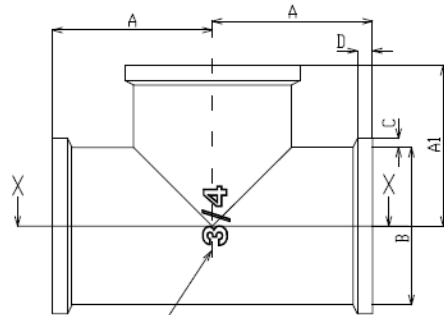
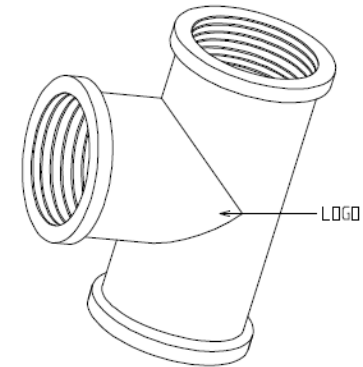
Procedure : Technical Drawing for Brass Fittings	
Department : Material Evaluation Technical Committee (METC)	
Document No: PBA/BRASS/FITTINGS	Revision No : 00
Classification : Public	Effective Date : 29 June 2018

APPENDIX 6



SECTION X-X

SIZE	DIMENSION		A	A1	B	C	D
TOLERANCE		± 1.5			± 0.5		± 1.0
INCH	mm	mm					
2	50	58.0	52.0	64.5	3.0	6.0	
1 1/2	40	50.0	45.5	54.0	3.0	6.0	
1	25	38.0	38.0	41.5	2.5	4.0	
3/4	20	33.0	33.0	33.0	2.0	3.0	
1/2	12	28.0	28.5	26.5	2.0	3.0	



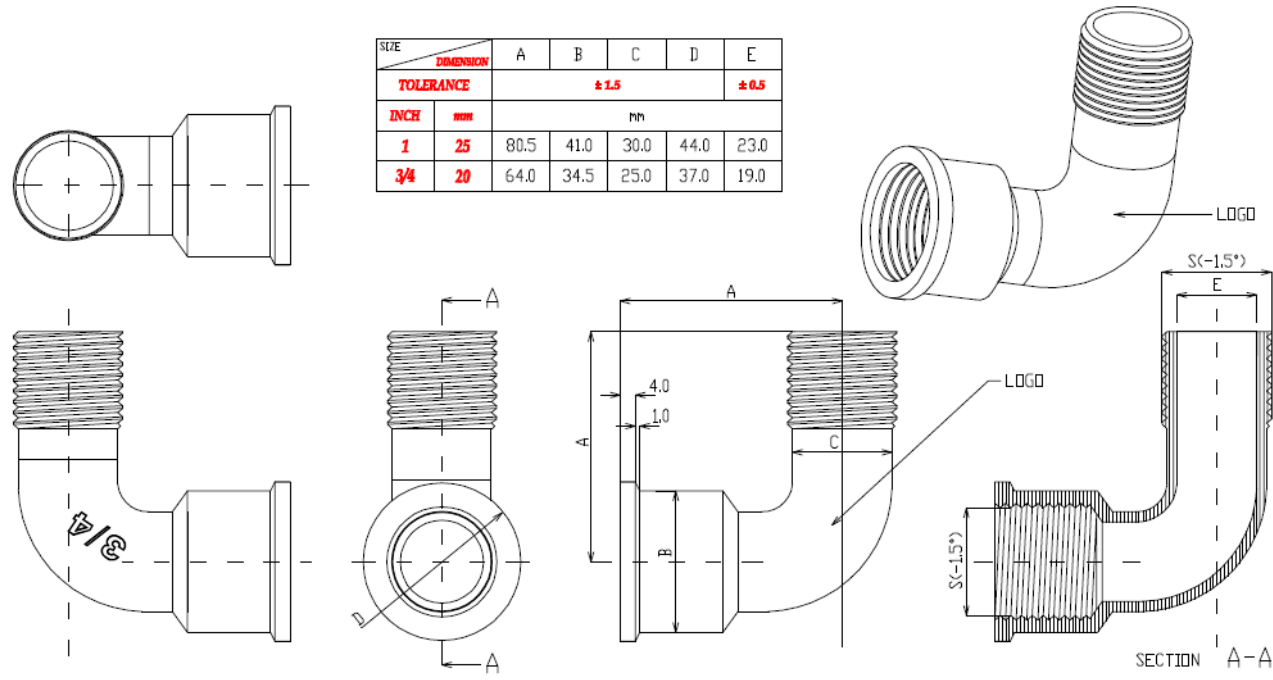
SIZE (SINK IN 0.3)

FITTING STANDARD: * BS 143 & 1256 : 2000 THREADS STANDARD BS 21 : 1985	PREPARED BY: Mr. Mok Kok Yun	
	DATE: 6 JUNE 2018	
DIMENSION IN mm	COMMENTS: No modification on any part of the fitting is allowed in order to comply with PBAPP requirement.	SIZE: A4 DWG NO.: METC/TEE (BRASS)
MATERIAL : BRASS	FINISH: * BS 143 & 1256 : 2000 is referred as a guide for tolerance only	SCALE: NOT TO SCALE
DO NOT SCALE DRAWING		SHEET NO: 1 of 1
		REV. 2




Procedure : Technical Drawing for Brass Fittings	
Department : Material Evaluation Technical Committee (METC)	
Document No: PBA/BRASS/FITTINGS	Revision No : 00
Classification : Public	Effective Date : 29 June 2018

APPENDIX 7



SIZE	DIMENSION		A	B	C	D	E
TOLERANCE			± 1.5				± 0.5
INCH		MM	MM				
1	25		80.5	41.0	30.0	44.0	23.0
3/4	20		64.0	34.5	25.0	37.0	19.0

FITTING STANDARD: * BS 143 & 1256 : 2000 THREADS STANDARD BS 21 : 1985	PREPARED BY: Mr. Mok Kok Yun			
	DATE: 6 JUNE 2018			DESCRIPTION: LONG BEND
DIMENSION IN mm MATERIAL : BRASS	COMMENTS: <i>No modification on any part of the fitting is allowed in order to comply with PBAPP requirement.</i>		SIZE: DWG NO. A4 METC/LONG BEND (BRASS)	REV. 2
FINISH: DO NOT SCALE DRAWING	* BS 143 & 1256 : 2000 is referred as a guide for tolerance only		SCALE: NOT TO SCALE	SHEET NO: 1 of 1